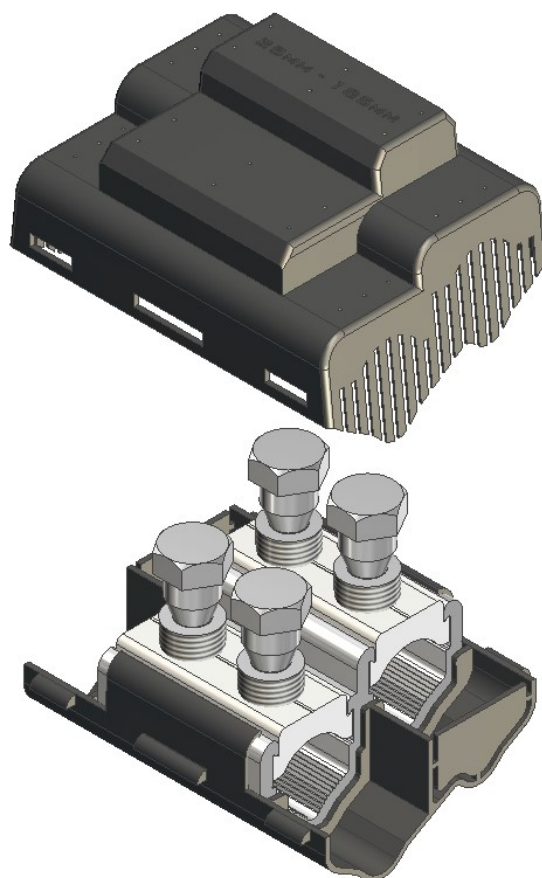


**WB95/SHR, WB185/SHR & WB300/SHR
Connectors****Principle Application:**

For LV mains branch jointing of sector/round, stranded/solid, aluminium/copper conductor cores.

Range:

Connector Reference (Part Number)	Core C.S.A. (mm ²)			
	Mains		Branch	
	Min	Max	Min	Max
WB95/SHR (51801-21)	25	95	25	95
WB185/SHR (51801-19)	35	185	35	185
WB300/SHR (51801-20)	70	300	70	300

Note: For jointing other core configurations/sizes please contact Sicame Engineering Dept.

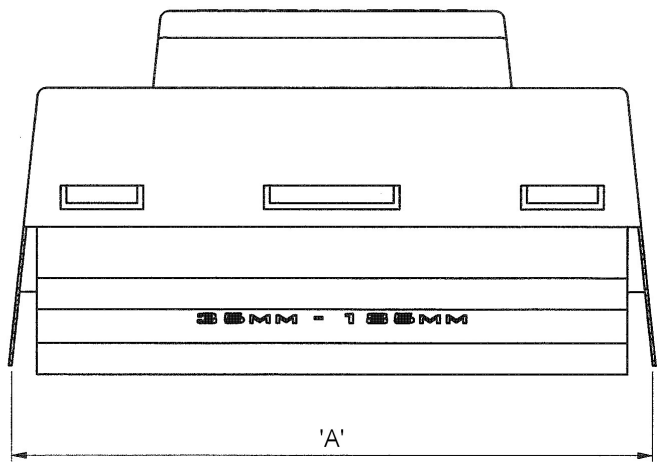
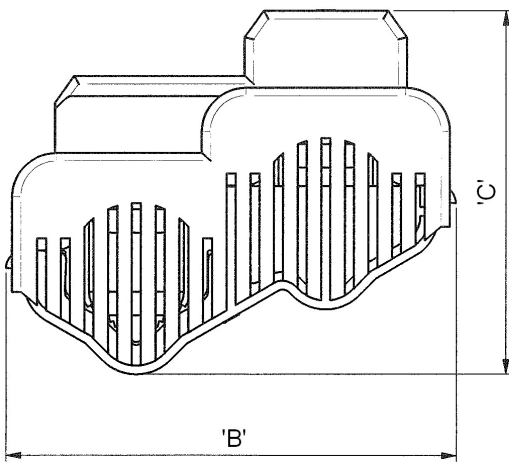
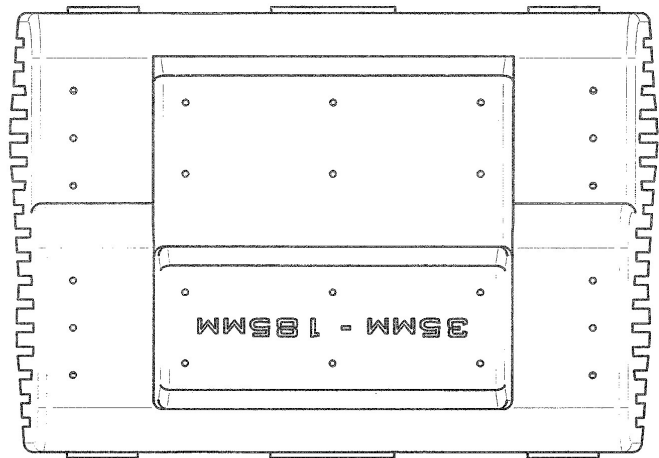
The **Sicame WBxxx/SHR** range of mains branch connectors accommodates an extensive range of LV mains cable styles and sizes.

The connector utilises the proven shear head, direct acting bolts (plated) thereby removing the need for pressure plates and come complete with 'snap' together polypropylene shrouds.

The plated bolts, combined with a standard plated yoke section, allow for the jointing of copper conductor cores without the need for conventional brass gauze.

WB95/SHR, WB185/SHR & WB300/SHR Connectors

Physical Dimensions:



Connector Reference (Part Number)	Dimensions (mm)		
	'A'	'B'	'C'
WB95/SHR (51801-21)	95.5	60.0	49.0
WB185/SHR (51801-19)	108.5	76.0	61.5
WB300/SHR (51801-20)	116.0	87.0	73.5

Material:

Connector: Aluminium Alloy
Shroud: Polypropylene

Test Specification:

Designed to meet the requirements of ERC79 and BS EN61238-1.